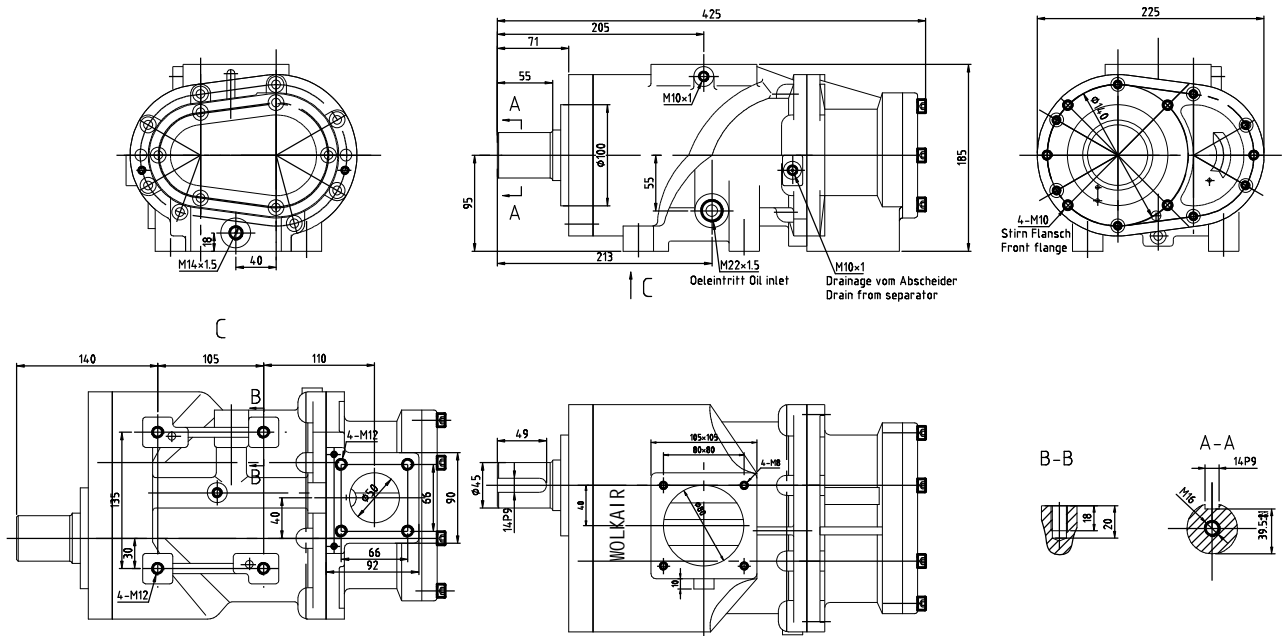
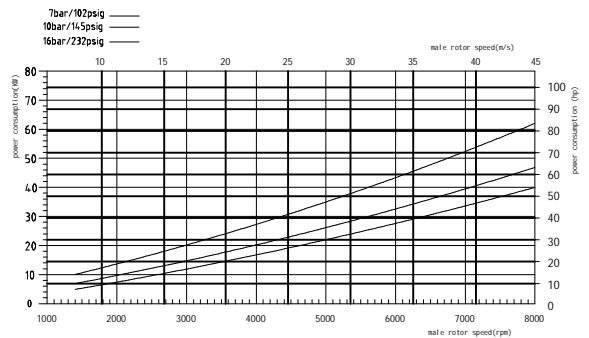
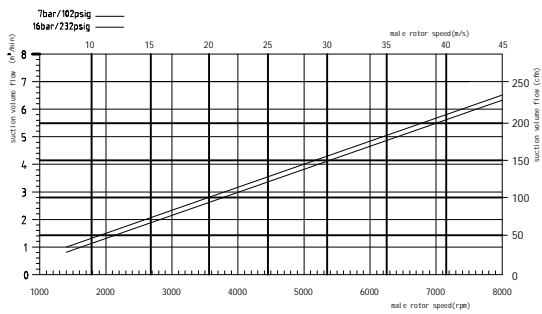


SCREW COMPRESSOR GU37

Outside view drawing



Data Tables



Drive: Male
 Lobe combination: 5/6
 Male rotor size: 107mm

Working pressure: min 3 barg/40 psi g-max 16 barg/240 psi g
 Weight: 50kg-110 lbs
 Female rotor size: 84mm

