

# China's invention patent name: a modified screw air end structure

The invention patent no.: ZL2008 1 0025355.0



GCU11



GCU30



GCU55



CC11



CU30/CU30G



GCU30G



GCU系列



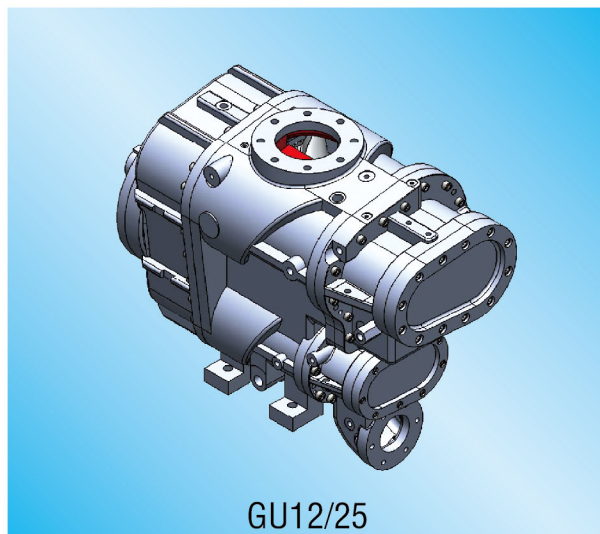
CDC11



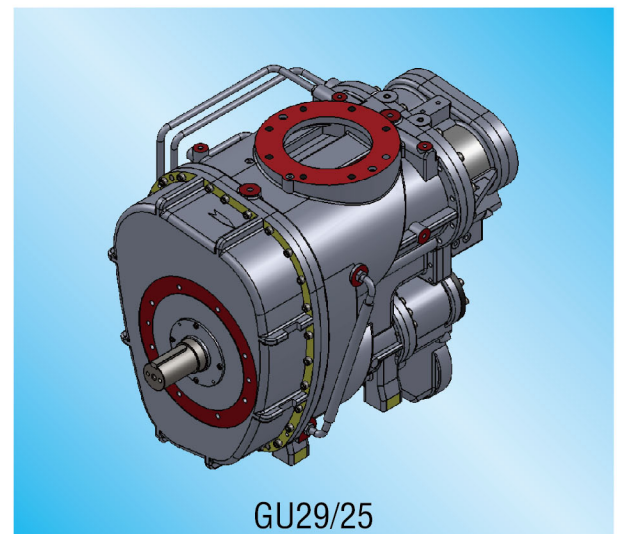
GCU37



GU55



GU12/25



GU29/25

Detailed performance curve and installation size charts see [www.woyo.com.cn](http://www.woyo.com.cn)

[export@woyo.com.cn](mailto:export@woyo.com.cn)

+86 1390 618 3783